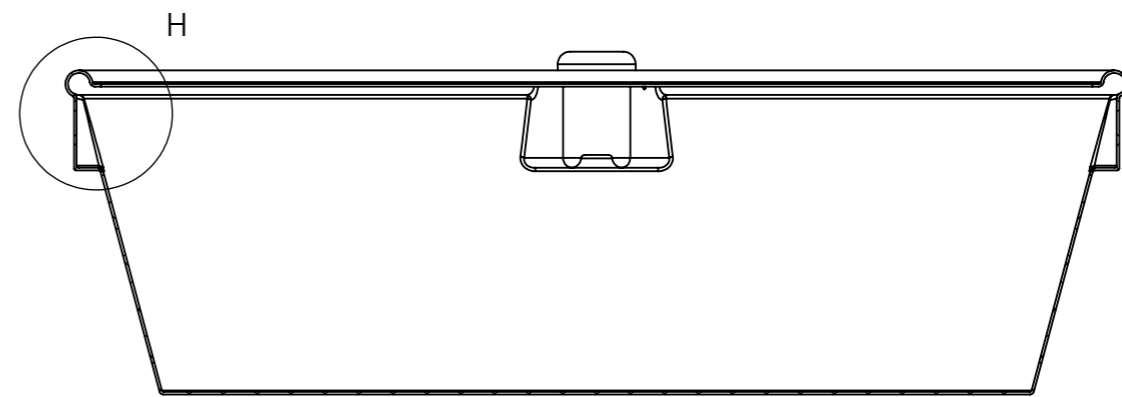
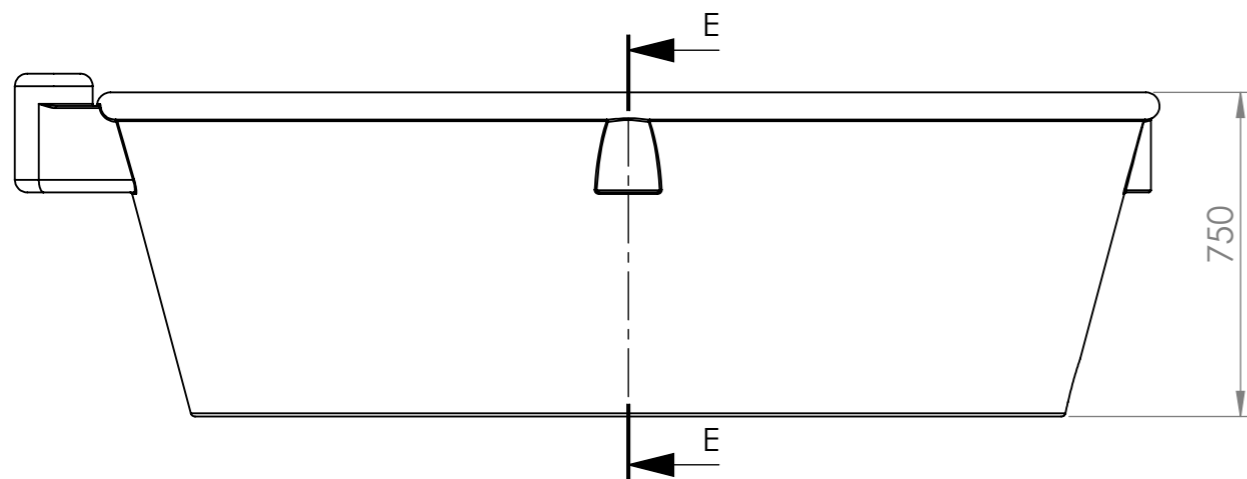
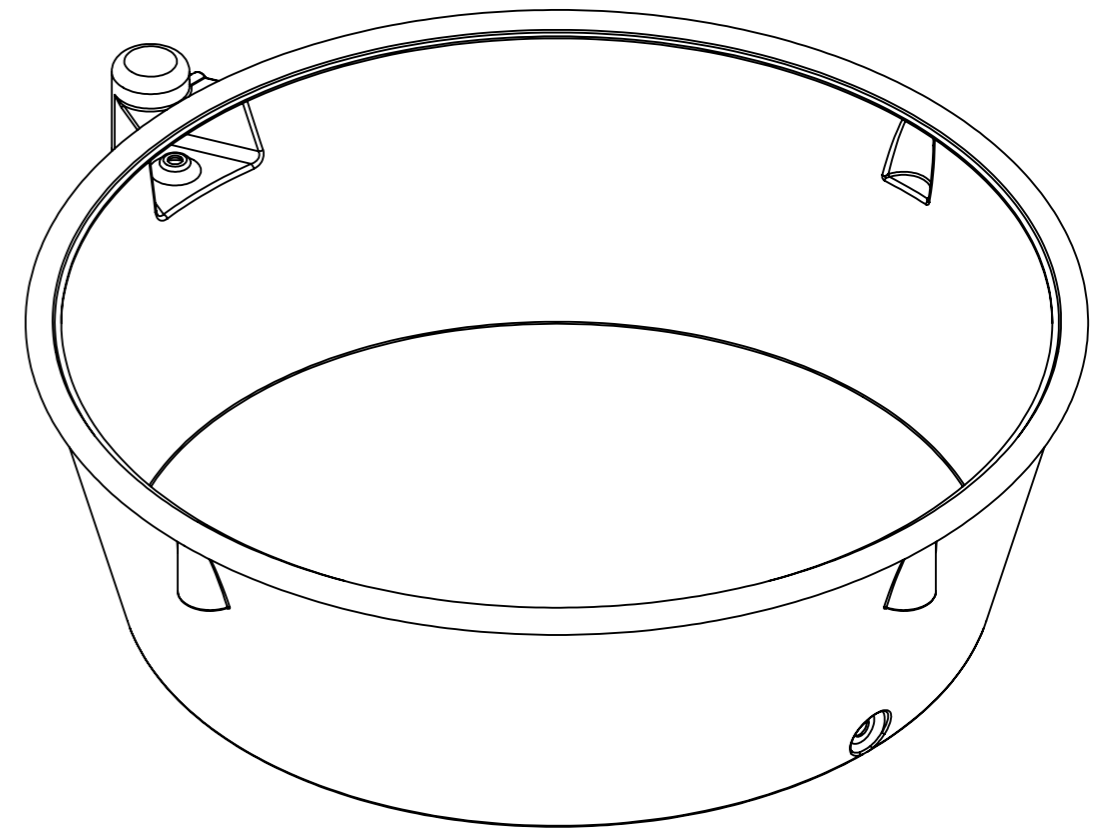


DETAIL H
SCALE 1 : 5



SECTION E-E

No.	DATE	REVISION DESCRIPTION	BY	CKD
A	18/1/12	Released for prototype.	PC	

UNLESS OTHERWISE SPECIFIED
ALL DIMENSIONS
IN MILLIMETERS

NO DECIMAL PLACES: ±1.0mm
ONE DECIMAL PLACE: ±0.5mm
ANGULAR (DEGREES): ±0.5°

© Copyright: URBAN POLY TANKS Pty Ltd - 2012
This drawing and all the information hereon is the property of
Urban Poly Tanks Pty Ltd.
It must not be copied, made public or used directly or indirectly,
including manufacture of the product shown herein, without written approval.
This drawing is loaned subject to these conditions and subject to return on demand.

Urban Poly Tanks Pty Ltd

105 Abbott Road Hallam Vic 3803
Tel (03) 9702 3559 Fax (03) 9702 3556



Weight: **100 kg**
Scale: **1:17.5**

Material: Polyethylene

Description: **ST 2600**
2,600 ltr (570 gal) Round Stock Trough

Part No. **ST 2600**

Drawing No. **103590**

1 of 1

Rev. **A**