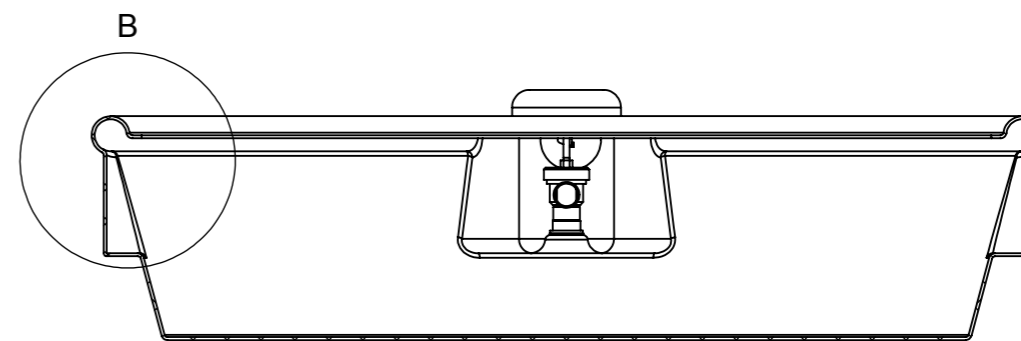
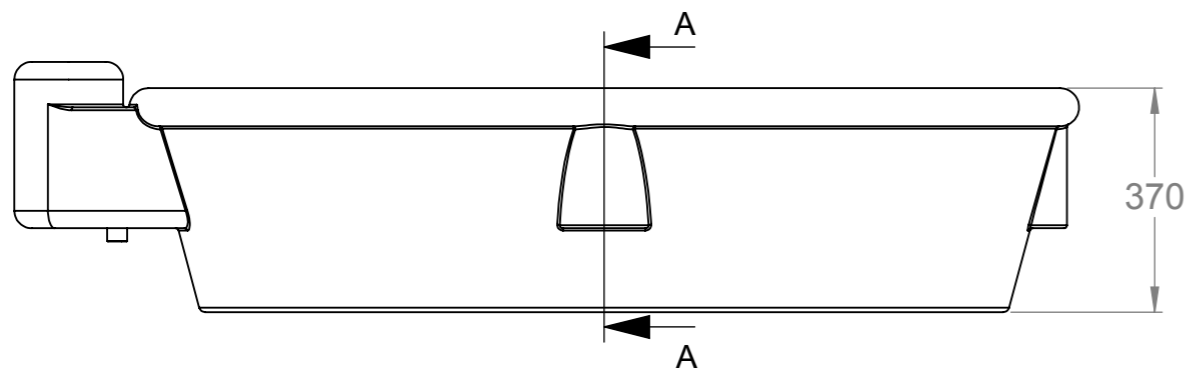
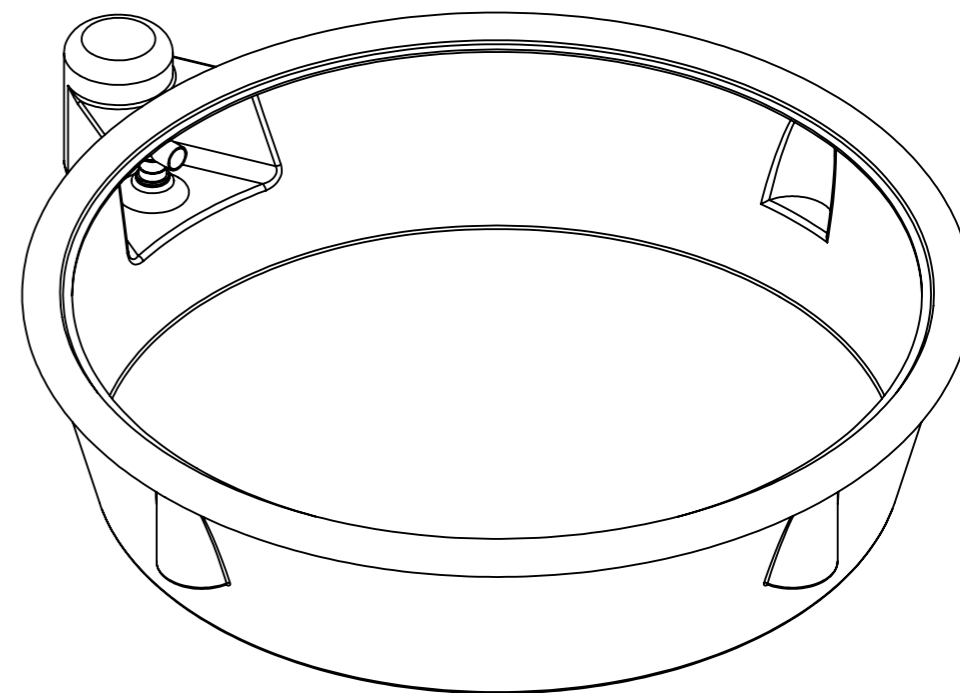


DETAIL B
SCALE 1 : 5



SECTION A-A

No.	DATE	REVISION DESCRIPTION	BY	CKD
A	5/10/12	Released for prototype.	PC	

UNLESS OTHERWISE SPECIFIED
ALL DIMENSIONS
IN MILLIMETERS

NO DECIMAL PLACES: $\pm 1.0\text{mm}$
ONE DECIMAL PLACE: $\pm 0.5\text{mm}$
ANGULAR (DEGREES): $\pm 0.5^\circ$

© Copyright: URBAN POLY TANKS Pty Ltd - 2012
This drawing and all the information hereon is the property of Urban Poly Tanks Pty Ltd.
It must not be copied, made public or used directly or indirectly, including manufacture of the product shown herein, without written approval. This drawing is loaned subject to these conditions and subject to return on demand.

Urban Poly Tanks Pty Ltd

20 Purton Road Pakenham Vic 3810
Tel (03) 5941 9411 Fax (03) 5940 0479

 Weight: **kg**
Scale: **1:12.5**
Material: **Polyethylene**

Description: **ST 500**
500 ltr (110gal) Round Stock Trough

Part No. Drawing No. **103686** 1 of 1 Rev. **A**