



URBAN POLY TANKS

26,000 Litre Water Tank

Urban Poly Tanks 26000 litre

Standard 26000 litre tank fit out consist of:
400mm Inlet Strainer @ 12
90mm Overflow @ 3 with mosquito filter
40mm brass tank outlet @ 6

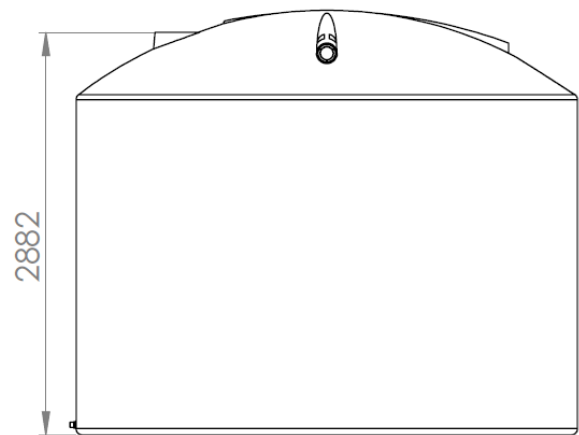
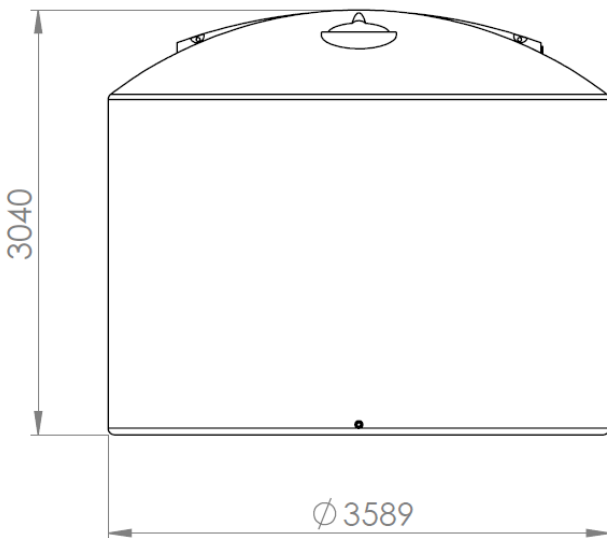
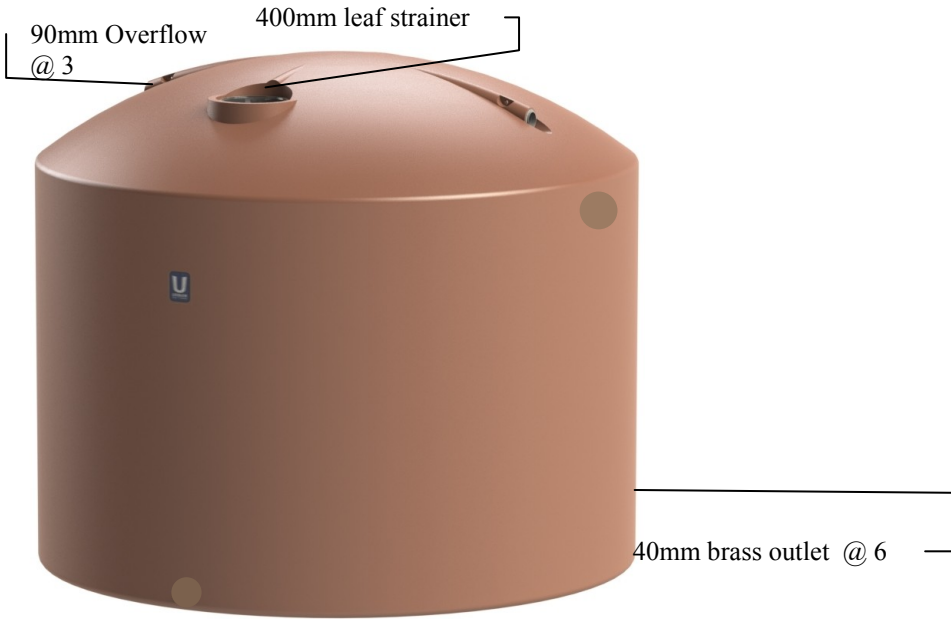
Order form

Distributor Name

Customer Details

Standard fit out YES NO

Colour



26,000 ltr

(5726 gal)

www.urbanpolytanks.com.au