



# URBAN POLY TANKS

## 3500 Litre Water Tank

### Urban Poly Tanks 3500 litre

Standard 3500 litre tank fit out consist of:  
300mm Inlet Strainer in centre of dome  
90mm Overflow @ 6 with mosquito filter  
25mm moulded-in brass tank outlets @ 2 & 10

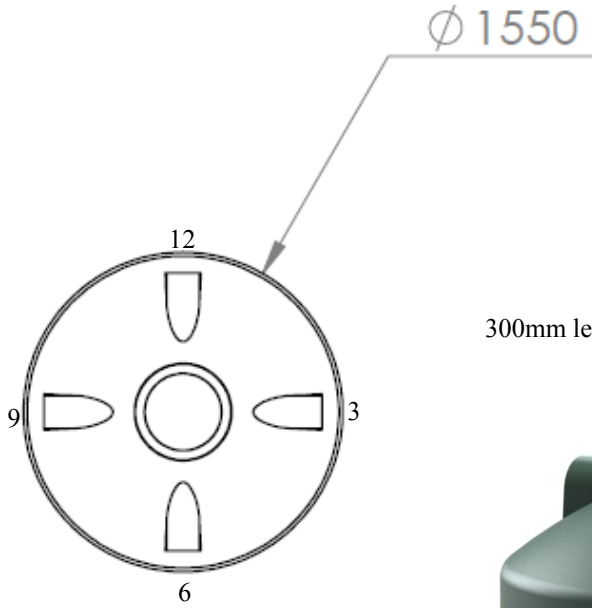
### Order form

Distributor Name

Customer Details

Standard fit out YES  NO

Colour



300mm leaf strainer

90mm Overflow @ 6

