



URBAN POLY TANKS

5500 Litre Squat Water Tank

Urban Poly Tanks 5500 litre Squat

Standard 5500 litre Squat tank fit out consist of:
400mm Inlet Strainer @ 12
90mm Overflow @ 2 with mosquito filter
25mm brass tank outlet @ 6

Order form

Distributor Name

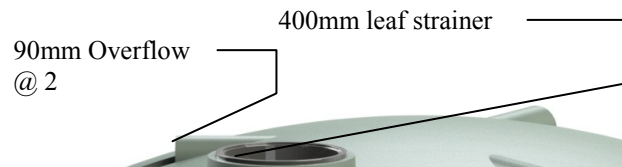
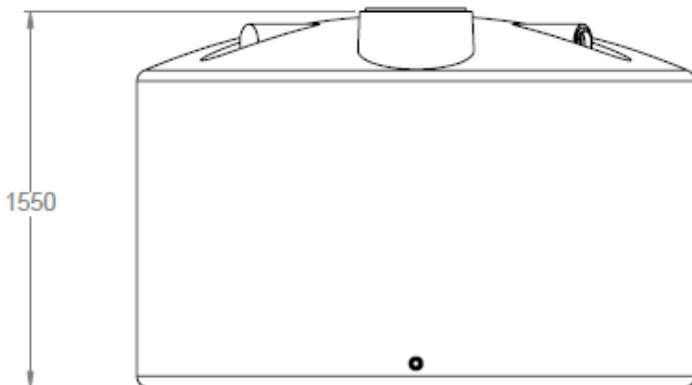
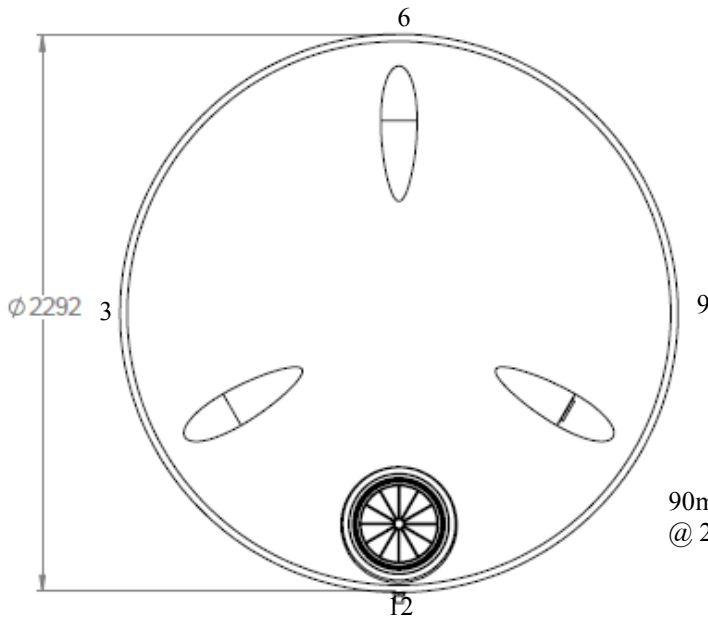
Customer Details

Standard fit out

YES

NO

Colour



25mm brass outlets @ 6